

### BH321611 Series

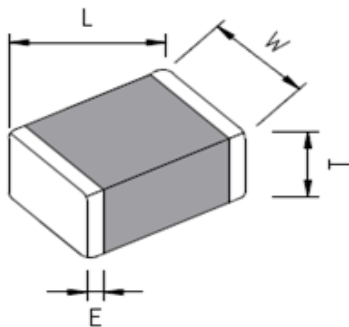
#### Features :

- Use on high current circuits due to its low DC resistance.
- Meet power lines to the maximum at 3A DC.
- For EMI suppression of the high DC current power line.
- Operating temperature range of -55°C to +125°C
- Storage temperature range of -40°C to +85°C

#### Applications :

- Various power lines of electronic equipment.
- Various automotive electronics.
- Mother board, tablet PC, laptop, desktop computer and peripheral equipment.

#### Shapes And Dimensions : (Unit :mm)



L	W	T	E
3.2 ± 0.2	1.6 ± 0.2	1.1 ± 0.2	0.4~1.0

#### Part Number Code :

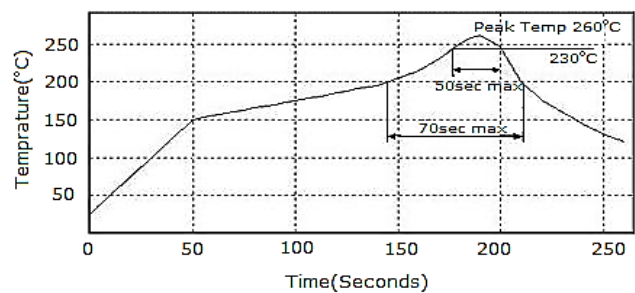
**BH 321611 A 121 -E**

①      ②      ③      ④      ⑤

- 1 : Series
- 2 : Dimensions L x W x T
- 3 : Material Code
- 4 : Normal Impedance
- 5 : Lead-Free

#### Reflow Profile :

Peak Temp : 260°C  
Max time above 230°C 50sec  
Max time above 200°C 70sec



**BF321611 Series**

Part No.	Impedance $\Omega \pm 25\% @ 100\text{MHz}$	DCR( $\Omega$ ) (max.)	Rated Current (mA) (max.)
BH321611A190	19	0.03	3000
BH321611A310	31	0.03	3000
BH321611A520	52	0.03	3000
BH321611A700	70	0.04	3000
BH321611A101	100	0.04	3000
BH321611A151	150	0.05	3000
BH321611A301	300	0.06	3000
BH321611A501 2.5A	500	0.07	2500
BH321611A501 RDC06	500	0.06	2500
BH321611A601 2A	600	0.08	2000
BH321611A102 1A	1000	0.30	1000
BH321611I310 1.5A	31	0.05	1500